

# 3.7V Lithium Polymer Battery Data Sheet

Model: 2556136

Please Find More:

<https://www.fpbattery.com/3-7v-1800mah-lithium-polymer-battery/>

File Number: A/FP56136-21968

File Version: 01

## CONTACT

CUSTOMER SERVICE

86.755.3682.7358

[sales@fpbattery.com](mailto:sales@fpbattery.com)

Hours of Operation:

9:00am-6:00pm CST, Monday to Friday

LEARN MORE ON:

<https://www.fpbattery.com/>

DNK POWER COMPANY LIMITED

## BATTERY SPECIFICATION

Part Number	DNK 2556136
Nominal Voltage	3.7 V
Nominal Capacity	1900 mAh
Internal Impedence	<60mΩ
Charge Voltage	4.2V
Recommended Charge Current	0.2 C
Allowed Max Charge Current	0.5 C
Output Voltage Range	4.2 - 2.5 V
Recommended Discharge Current	0.2 C
Max Continuous Discharge Current	1 C
Pulse Discharge Current	3 C (10 mS)
Discharge Cut-off Voltage	2.5± 0.05V
Cycle Life to 80% Health	500 (0.2C, 25°C)

## ENVIRONMENTAL SPECIFICATIONS

Charging Temperature Range	0 - 45°C
Discharging Temperature Range	-20 - 60°C
Storage Period 1 Week	-20 - 45°C
Storage Period 1 Month	-10 - 45°C
Storage Period 6 Months	0 - 35°C

## BATTERY PROTECTION

Over Charge	4.275 ± 50mV
Over Discharge	2.5V ± 50mV
Over Current	3A to 5A
Short Circuit	Yes

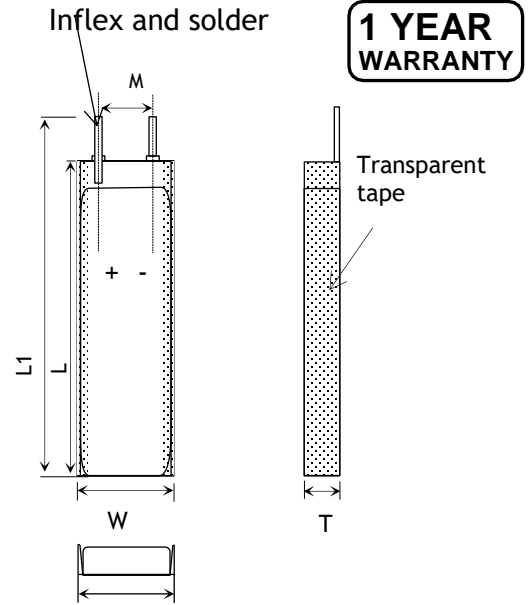
## MECHANICAL SPECIFICATIONS

Dimensions	138x 56 x 2 mm(L*W*T)
Weight	31 g
Battery Terminals	WC/ FL *

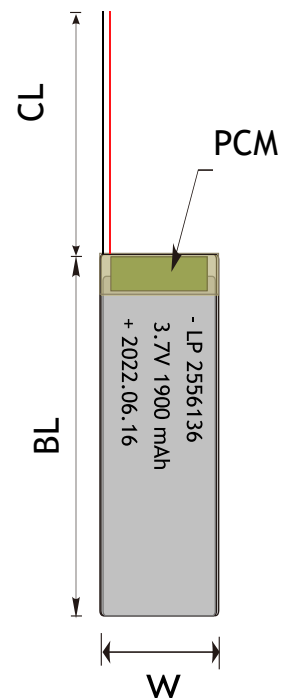
## CERTIFICATION

Certification Approval PLEASE CONSULT SALES

- \* WC=With Connector FL=Flying Leads UWP=Blue Wrapped PVC  
 BWP=Black Wrapped PVC BC= Bare Cell



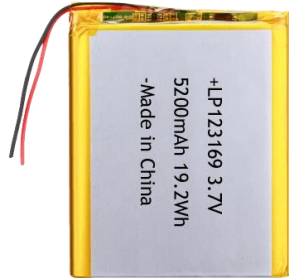
Item	Parameter (mm)
T	2
W	56
M	10
L	136
L <sub>1</sub>	138
BL	138 ± 1
CL	100



### BULK PRODUCTION ACTUAL PICTURES



BARE CELL (BC)



FLYING LEADS (FL)



WITH CONNECTOR (WC)



BLUE WRAPPED PVC (UWP)



BLACK WRAPPED PVC (BWP)

### 3.7V LIPO BATTERY OPTIONS



Special Ingredients to make batteries work from -40 -85 ° C



Discharging Current up to 100C



Popular JST,Molex,Hirose,Anderson available



LED Power Indicator



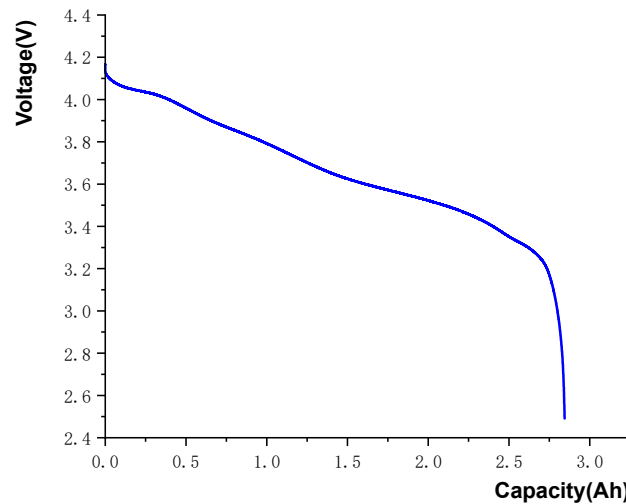
Power Button



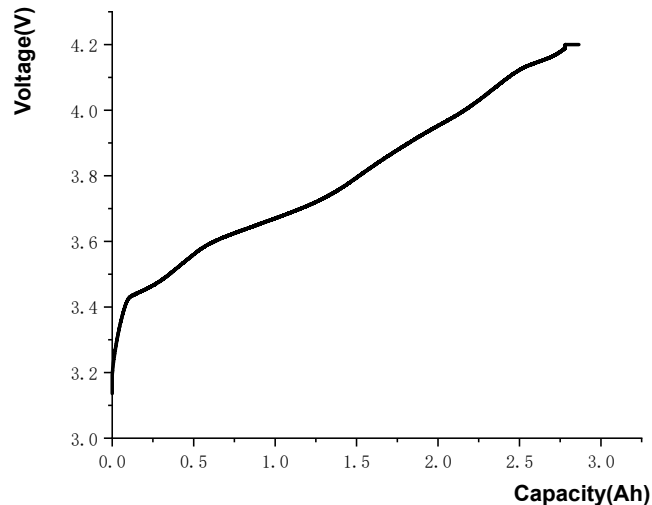
Upgrade to LifePo4 tech and life circle up to 1500

## RELATIVE CURVES

0.2C Discharging Characteristics Curve@25°C



0.2C Charging Characteristics Curve@25°C



## ANNOUNCEMENT

- The batteries must be stored within -10°C-45°C range environmental condition.
- Store in a temperature protected area between 10 and 25 degrees Centigrade
- Never charge a LiPo battery on a wooden or other combustible (carpeted) surface. Always charge LiPo batteries on surfaces made of cement, steel, ceramic or stone.
- Storing LiPo batteries at temperatures higher than 170°F (76°C) for more than 2 hours may result in battery damage or possibly fire.
- Do not use batteries with physical damage, such as dented, cracked or leaking batteries.
- Do not allow a Lipo battery to get wet
- If you plan not to use your LiPo cells for an extended period (more then 4 days) then use the "Storage" setting on your charger. If your charger does not have this feature then don't use it and invest in one that does.
- Exercise caution with new products like E-Scooters where all safety considerations may not be recognized or that may encourage cheap knock-offs built without adherent to safety standards.
- Use recommended methods to make battery terminal connections.
- Do not store LiPo batteries in extreme temperatures below 0C or above 50C.
- If you start seeing any physical changes to the battery while charging example puffing, STOP charging immediately and dispose of the battery responsibly.