

3.7V Lithium Polymer Battery Data Sheet

Model: 300815

Please Find More:

<https://www.fpbattery.com/small-lithium-polymer-battery/>

File Number: A/FP0815-17829

File Version: 01

CONTACT

CUSTOMER SERVICE

86.755.3682.7358

sales@fpbattery.com

Hours of Operation:

9:00am-6:00pm CST, Monday to Friday

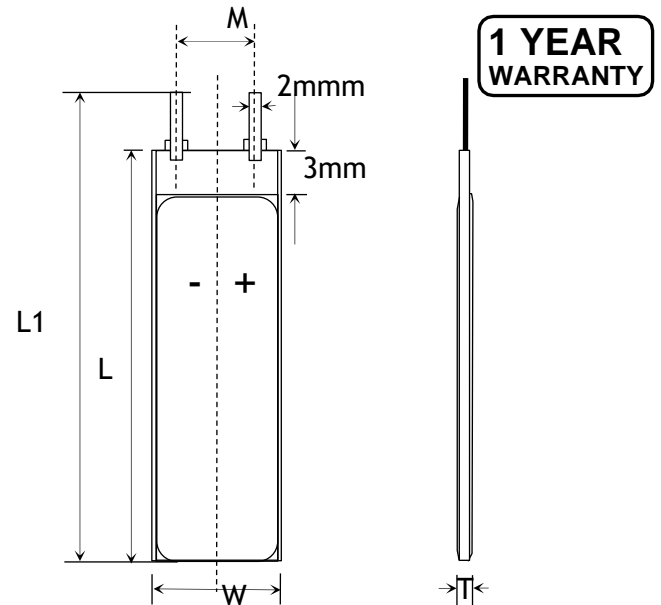
LEARN MORE ON:

<https://www.fpbattery.com/>

DNK POWER COMPANY LIMITED

BATTERY SPECIFICATION

Part Number	DNK 300815
Nominal Voltage	3.7 V
Nominal Capacity	35 mAh
Internal Impedence	<60mΩ
Charge Voltage	4.2V
Recommended Charge Current	0.2 C
Allowed Max Charge Current	0.5 C
Output Voltage Range	4.2 - 2.5 V
Recommended Discharge Current	0.2 C
Max Continuous Discharge Current	1 C
Pulse Discharge Current	3 C (10 mS)
Discharge Cut-off Voltage	2.5± 0.05V
Cycle Life to 80% Health	500 (0.2C, 25°C)



Item	Parameter (mm)
T	3
W	8
M	10
L	15
L ₁	17
BL	17 ± 1
CL	100

ENVIRONMENTAL SPECIFICATIONS

Charging Temperature Range	0 - 45°C
Discharging Temperature Range	-20 - 60°C
Storage Period 1 Week	-20 - 45°C
Storage Period 1 Month	-10 - 45°C
Storage Period 6 Months	0 - 35°C

BATTERY PROTECTION

Over Charge	4.275 ± 50mV
Over Discharge	2.5V ± 50mV
Over Current	3A to 5A
Short Circuit	Yes

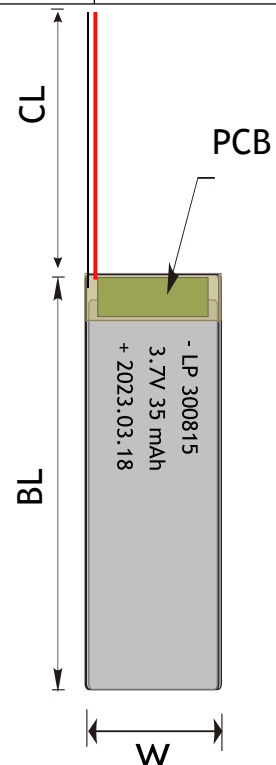
MECHANICAL SPECIFICATIONS

Dimensions	17x 8 x 3 mm(L*W*T)
Weight	Around ≤2 g
Battery Terminals	WC/ FL *

CERTIFICATION

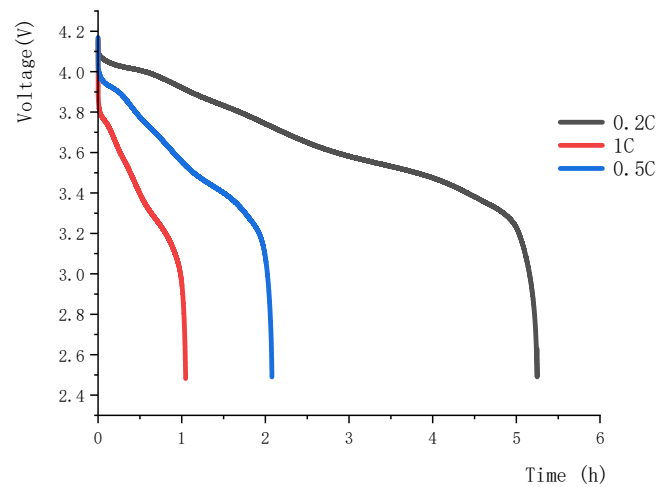
Certification Approval PLEASE CONSULT SALES

- * WC=With Connector FL=Flying Leads UWP=Blue Wrapped PVC
- BWP=Black Wrapped PVC BC= Bare Cell

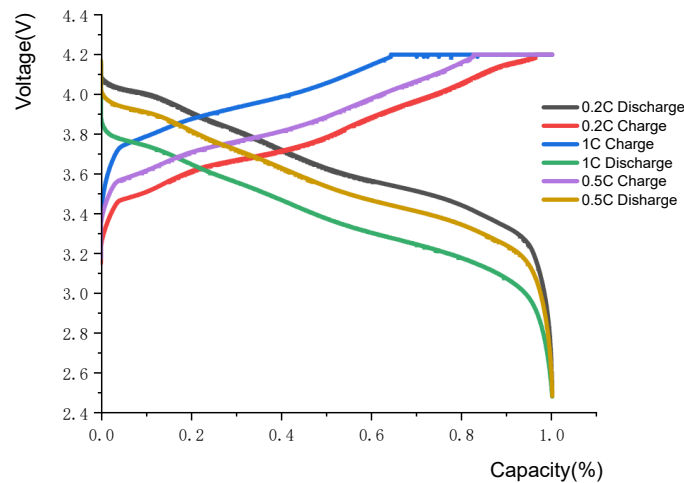


RELATIVE CURVES

Discharge Characteristics Curve in Different Rate@25°C



Charge & Discharge Characteristics in different Rate@25°C



ANNOUNCEMENT

- Do not place metallic substances in direct contact with the positive and negative terminals of the battery.
- Charge at correct rate and proper voltage for either use or storage.
- Do not use unsuitable battery cover materials.
- Do not over-discharge (3.2V per cell)
- If a cell is venting or smoking, evacuate, all personnel from the area, closing doors behind you. The area should be secured to ensure that no unnecessary persons enter.
- Charge on a non-flammable surface (concrete, ceramic, steel) away from any flammable material
- Do not charge the battery without supervision.
- Charge on a non-flammable surface (concrete, ceramic, steel) away from any flammable material
- Storing LiPo batteries at temperatures higher than 170°F (76°C) for more than 2 hours may result in battery damage or possibly fire.
- Do not place the battery in a microwave or other heating device.
- The battery must be protected from physical contact with any other part of the model.