

3.7V Lithium Polymer Battery Data Sheet

Model: 2560140

Please Find More:

<https://www.fpbattery.com/3-7v-2000mah-lithium-polymer-battery/>

File Number: A/FP60140-21301

File Version: 01

CONTACT

CUSTOMER SERVICE

86.755.3682.7358

sales@fpbattery.com

Hours of Operation:

9:00am-6:00pm CST, Monday to Friday

LEARN MORE ON:

<https://www.fpbattery.com/>

DNK POWER COMPANY LIMITED

BATTERY SPECIFICATION

Part Number	DNK 2560140
Nominal Voltage	3.7 V
Nominal Capacity	2100 mAh
Internal Impedence	<60mΩ
Charge Voltage	4.2V
Recommended Charge Current	0.2 C
Allowed Max Charge Current	0.5 C
Output Voltage Range	4.2 - 2.5 V
Recommended Discharge Current	0.2 C
Max Continuous Discharge Current	1 C
Pulse Discharge Current	3 C (10 mS)
Discharge Cut-off Voltage	2.5± 0.05V
Cycle Life to 80% Health	500 (0.2C, 25°C)

ENVIRONMENTAL SPECIFICATIONS

Charging Temperature Range	0 - 45°C
Discharging Temperature Range	-20 - 60°C
Storage Period 1 Week	-20 - 45°C
Storage Period 1 Month	-10 - 45°C
Storage Period 6 Months	0 - 35°C

BATTERY PROTECTION

Over Charge	4.275 ± 50mV
Over Discharge	2.5V ± 50mV
Over Current	3A to 5A
Short Circuit	Yes

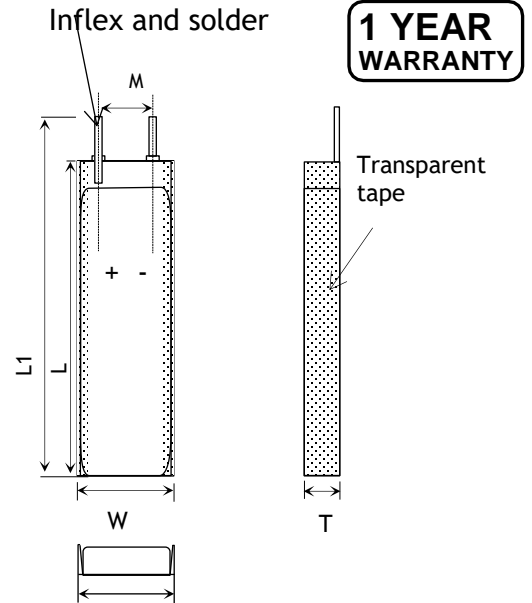
MECHANICAL SPECIFICATIONS

Dimensions	142x 60 x 2 mm(L*W*T)
Weight	35 g
Battery Terminals	WC/ FL *

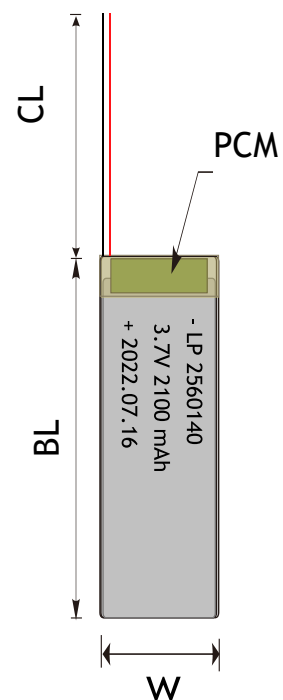
CERTIFICATION

Certification Approval	PLEASE CONSULT SALES
------------------------	----------------------

- * WC=With Connector FL=Flying Leads UWP=Blue Wrapped PVC
BWP=Black Wrapped PVC BC= Bare Cell



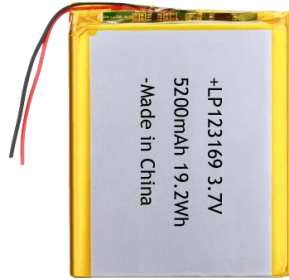
Item	Parameter (mm)
T	2
W	60
M	10
L	140
L ₁	142
BL	142 ± 1
CL	100



BULK PRODUCTION ACTUAL PICTURES



BARE CELL (BC)



FLYING LEADS (FL)



WITH CONNECTOR (WC)

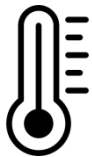


BLUE WRAPPED PVC (UWP)



BLACK WRAPPED PVC (BWP)

3.7V LIPO BATTERY OPTIONS



Special Ingredients to make batteries work from -40 -85 ° C



Discharging Current up to 100C



Popular JST,Molex,Hirose,Anderson available



LED Power Indicator



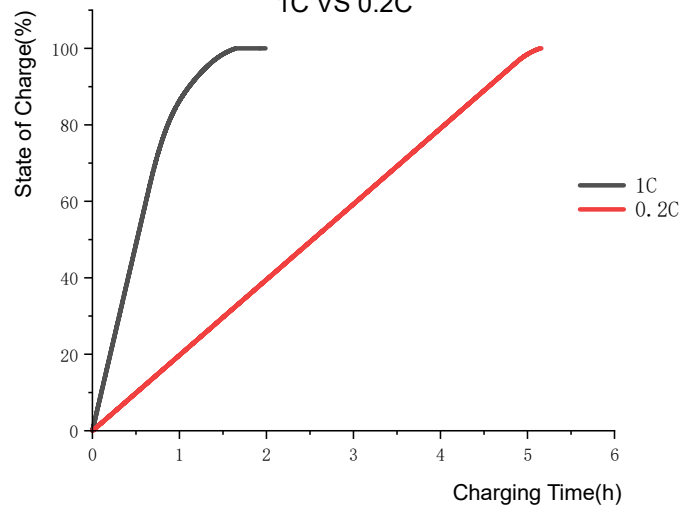
Power Button



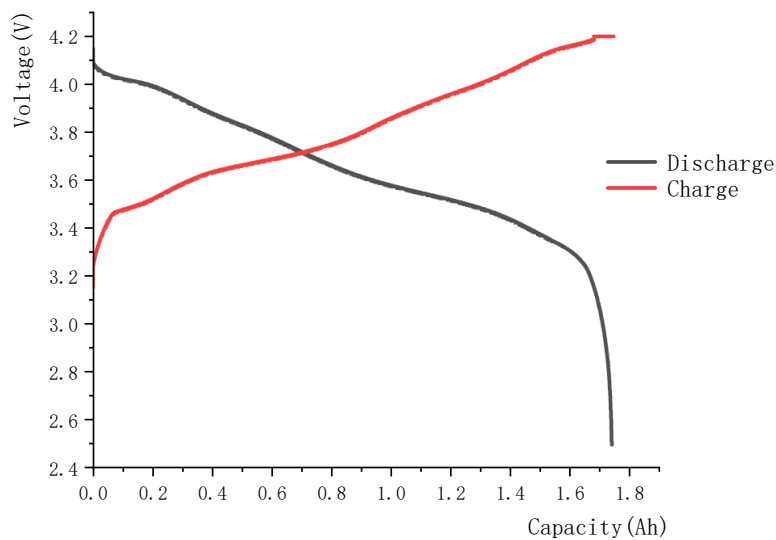
Upgrade to LifePo4 tech and life circle up to 1500

RELATIVE CURVES

SOC Changing Characteristics Curve in Different Rate @25°C
1C VS 0.2C



Discharge VS Charge Characteristics Curve@0.2C 25°C



ANNOUNCEMENT

- Use only a charger designed for charging LiPo batteries. Never use any other type of charger.
- Do not vibrate the battery excessively.
- Only charge in an isolated area away from other flammable materials and on a non conductive and non flammable surface. Use a fireproof container. LiPo battery fires can not be extinguished. If a fire occurs, contain it by covering it with a fire blanket until it burns itself out.
- Never put batteries in your pocket or non fireproof bags this may cause the battery to short circuit.
- Periodically check that the battery connectors and cables are intact.
- Do not mix different types of batteries or mix new and old ones together (e.g. in a power pack).
- Do not charge dissimilar or un-matched packs in series or parallel with any difference in cell type, cell capacity, manufacturer, age, pack capacity or charge state (+/-0.03V per cell). If in any doubt, always charge them separately.
- Always check the voltage of Batteries before each charge session in order to ensure they are at or above the minimum safe starting voltage. If starting voltage is below recommended levels than Batteries have been over discharged or have experienced a failure and should NOT be charged
- Never charge Batteries that are too hot to the touch (above 100° F). DO NOT handle Batteries until they are cool.
- Do not place metallic substances in direct contact with the positive and negative terminals of the battery.
- DO NOT make or build your own charging circuit.