

# 3.7V Lithium Polymer Battery Data Sheet

Model: 254452

Please Find More:

<https://www.fpbattery.com/3-7v-500mah-lithium-polymer-battery/>

File Number: A/FP4452-5991

File Version: 01

## CONTACT

CUSTOMER SERVICE

86.755.3682.7358

[sales@fpbattery.com](mailto:sales@fpbattery.com)

Hours of Operation:

9:00am-6:00pm CST, Monday to Friday

LEARN MORE ON:

<https://www.fpbattery.com/>

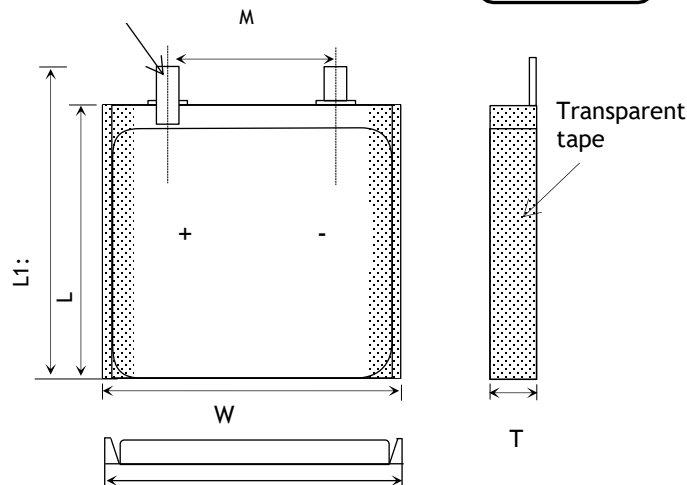
DNK POWER COMPANY LIMITED

### BATTERY SPECIFICATION

Part Number	DNK 254452
Nominal Voltage	3.7 V
Nominal Capacity	570 mAh
Internal Impedence	<60mΩ
Charge Voltage	4.2V
Recommended Charge Current	0.2 C
Allowed Max Charge Current	0.5 C
Output Voltage Range	4.2 - 2.5 V
Recommended Discharge Current	0.2 C
Max Continuous Discharge Current	1 C
Pulse Discharge Current	3 C (10 mS)
Discharge Cut-off Voltage	2.5± 0.05V
Cycle Life to 80% Health	500 (0.2C, 25°C)

**1 YEAR WARRANTY**

Inflex and solder



### ENVIRONMENTAL SPECIFICATIONS

Charging Temperature Range	0 - 45°C
Discharging Temperature Range	-20 - 60°C
Storage Period 1 Week	-20 - 45°C
Storage Period 1 Month	-10 - 45°C
Storage Period 6 Months	0 - 35°C

### BATTERY PROTECTION

Over Charge	4.275 ± 50mV
Over Discharge	2.5V ± 50mV
Over Current	3A to 5A
Short Circuit	Yes

### MECHANICAL SPECIFICATIONS

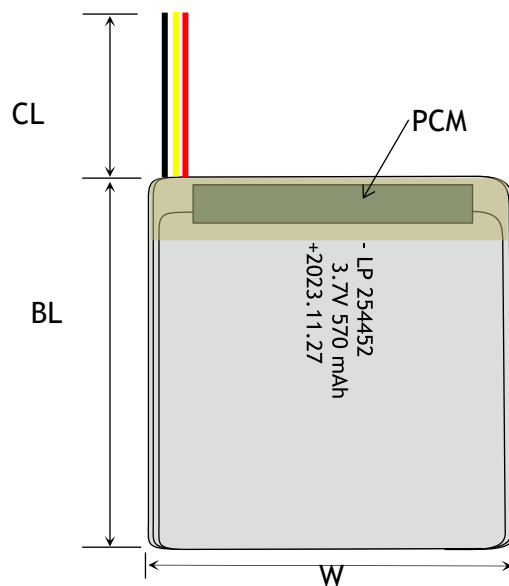
Dimensions	54x 44 x 2 mm(L*W*T)
Weight	Around 9 g
Battery Terminals	WC/ FL *

### CERTIFICATION

Certification Approval PLEASE CONSULT SALES

\* aWC=With Connector FL=Flying Leads UWP=Blue Wrapped PVC  
BWP=Black Wrapped PVC BC= Bare Cell

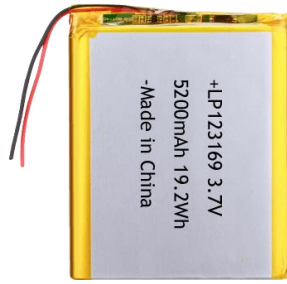
Item	Parameter (mm)
T	2
W	44
M	10
L	52
L <sub>1</sub>	54
BL	54 ± 1
CL	100



## BULK PRODUCTION ACTUAL PICTURES



BARE CELL (BC)



FLYING LEADS (FL)



WITH CONNECTOR (WC)



BLUE WRAPPED PVC (UWP)



BLACK WRAPPED PVC (BWP)

## 3.7V LIPO BATTERY OPTIONS



Special Ingredients to make batteries work from -40 -85 ° C



Discharging Current up to 100C



Popular JST,Molex,Hirose,Anderson available



LED Power Indicator

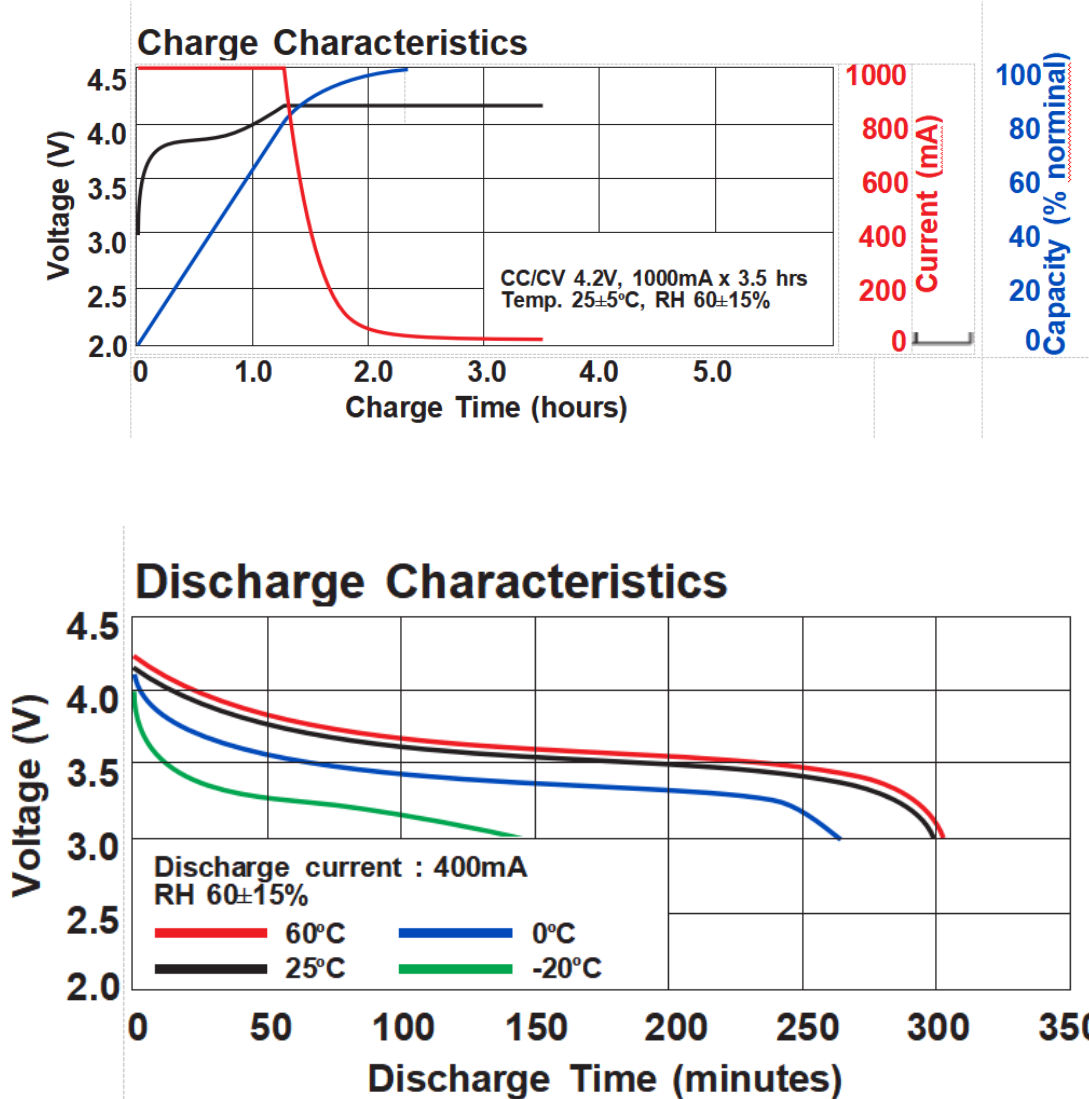


Power Button



Upgrade to LifePo4 tech and life circle up to 1500

## RELATIVE CURVES



## ANNOUNCEMENT

- Never charge a battery pack that has been punctured or damaged.
- Never immerse the battery in water or allow it to get wet.
- Never immerse the battery in water or allow it to get wet.
- No charging should take place overnight.
- Avoid crushing or excessive pressure on the battery.
- Never charge the battery inside a Vehicle.
- Only charge in an isolated area away from other flammable materials and on a non conductive and non flammable surface. Use a fireproof container. LiPo battery fires can not be extinguished. If a fire occurs, contain it by covering it with a fire blanket until it burns itself out.
- Store LiPo batteries at room temperature between 5°C and 27°C (40°F and 80°F) for best results. The lower the temperature the better.
- Do not charge Lipo batteries inside a car. Do not charge Lipo batteries inside a RC model.
- Have a class ABC or CO2 fire extinguisher nearby the storage area.
- NEVER continue to charge a device or a battery after it is fully charged, unless the manufacturer’s instructions for the charger and the battery specifically state that it is allowed.